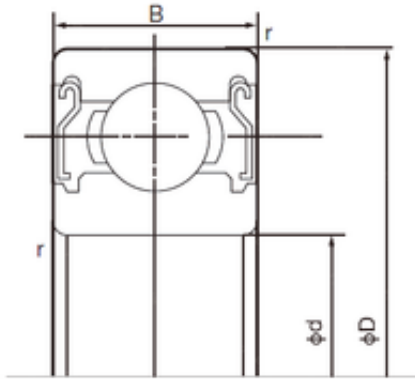




EDB BEARING CORP.

25 mm x 52 mm x 15 mm MGN 15H Miniature Linear Guideway Block 15x32x16mm



Bearing No. 6205ZZE

6205ZZE Bearing 2D drawings and 3D CAD models

Size	25x52x15 mm
Bore Diameter	25 mm
Outer Diameter	52 mm
Width	15 mm
d	25 mm
D	52 mm
B	15 mm
C	15 mm
r min.	1.0 mm
da min.	31 mm
Da max.	46 mm
ra max.	1.0 mm
Weight	0.128 Kg
Basic dynamic load rating (C)	14 kN
Basic static load rating (C0)	7,9 kN
(Grease) Lubrication Speed	12000 r/min
Category	Single Row Ball Bearings
Inventory	0.0
Manufacturer Name	NACHI
Minimum Buy Quantity	N/A
Weight / Kilogram	0
EAN	4991893702064
Product Group	B00308
Enclosure	2 Metal Shields
Precision Class	ABEC 1 ISO P0



EDB BEARING CORP.

Maximum Capacity / Filling Slot	No
Rolling Element	Ball Bearing
Snap Ring	No
Internal Special Features	No
Cage Material	Steel
Internal Clearance	C0-Medium
Inch - Metric	Metric
Long Description	25MM Bore; 52MM Outside Diameter; 15MM Outer Race Width; 2 Metal Shields; Ball Bearing; ABEC 1 ISO P0; No Filling Slot; No Snap Ring; No Internal Special Features; C0-Medium Internal Clearance; Stee
Other Features	Deep Groove
Category	Single Row Ball Bearing
UNSPSC	31171504
Harmonized Tariff Code	8482.10.50.68
Noun	Bearing
Keyword String	Ball
Manufacturer URL	http://www.nachiamerica.com
Weight / LBS	0.28219
Outer Race Width	0.591 Inch 15 Millimeter
Inner Race Width	0 Inch 0 Millimeter
Bore	0.984 Inch 25 Millimeter
Outside Diameter	2.047 Inch 52 Millimeter
Bore Type	Cylindrical Bore
Configuration	Single Row
Bore Size	25 mm
Width	15 mm
Fillet Radius/Chamfer	1 mm



EDB BEARING CORP.

Dynamic Load Rating	14,000 N
Static Load Rating	7,900 N
Limiting Speed - Grease	13,000 rpm
Factor f_0	13.9
Radial Clearance	0.005 to 0.020 mm
d_a (min)	31 mm
D_a (max)	46 mm
r_a (max)	1 mm