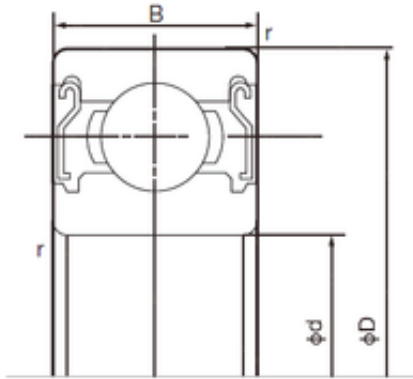




EDB BEARING CORP.

100 mm x 125 mm x 13 mm 65BAR10S Thrust Angular Contact Ball Bearing 65x100x16.5mm



Bearing No. 6820ZZ

6820ZZ Bearing 2D drawings and 3D CAD models

Size	100x125x13 mm
Bore Diameter	100 mm
Outer Diameter	125 mm
Width	13 mm
d	100 mm
D	125 mm
B	13 mm
C	13 mm
r min.	1 mm
da min.	105 mm
Da max.	120 mm
ra max.	1.0 mm
Weight	0.311 Kg
Basic dynamic load rating (C)	19,6 kN
Basic static load rating (C0)	21,2 kN
Category	Single Row Ball Bearings
Inventory	0.0
Manufacturer Name	NACHI
Minimum Buy Quantity	N/A
Weight / Kilogram	0.313
EAN	4991893806953
Product Group	B00308
Enclosure	2 Metal Shields
Precision Class	ABEC 1 ISO P0
Maximum Capacity / Filling	No



EDB BEARING CORP.

Slot	
Rolling Element	Ball Bearing
Snap Ring	No
Internal Special Features	No
Internal Clearance	C0-Medium
Inch - Metric	Metric
Long Description	100MM Bore; 125MM Outside Diameter; 13MM Outer Race Diameter; 2 Metal Shields; Ball Bearing; ABEC 1 ISO P0; No Filling Slot; No Snap Ring; No Internal Special Features
Category	Single Row Ball Bearing
UNSPSC	31171504
Harmonized Tariff Code	8482.10.50.68
Noun	Bearing
Keyword String	Ball
Manufacturer URL	http://www.nachi.com
Manufacturer Item Number	6820 ZZ BV2S
Weight / LBS	0.69
Outside Diameter	4.921 Inch 125 Millimeter
Outer Race Width	0.512 Inch 13 Millimeter
Bore	3.937 Inch 100 Millimeter
Bore Type	Cylindrical Bore
Configuration	Single Row
Bore Size	100 mm
Width	13 mm
Fillet Radius/Chamfer	1 mm
Dynamic Load Rating	19,600 N
Static Load Rating	21,200 N
Limiting Speed - Grease	4,800 rpm
Factor fo	16.0
Radial Clearance	0.012 to 0.036 mm



EDB BEARING CORP.

da (min)	105 mm
Da (max)	120 mm
ra (max)	1 mm