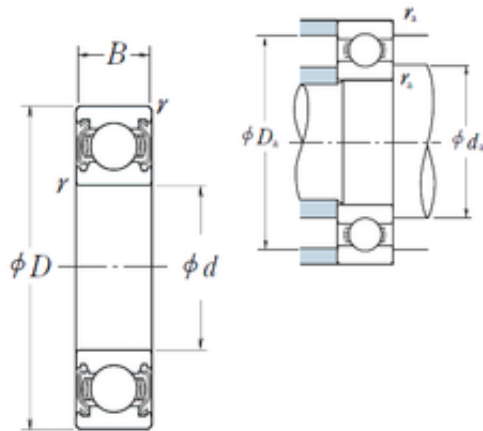




# EDB BEARING CORP.



## 12 mm x 28 mm x 8 mm HCB7019-E-T-P4S Bearing 95X145X24mm

Bearing No. 6001ZZ

6001ZZ Bearing 2D drawings and 3D CAD models

Size	12x28x8 mm
Bore Diameter	12 mm
Outer Diameter	28 mm
Width	8 mm
d	12 mm
D	28 mm
B	8 mm
C	8 mm
r min.	0,3 mm
da min.	14 mm
da max	15,5 mm
Da max.	26 mm
ra max.	0,3 mm
Weight	0,022 Kg
Basic dynamic load rating (C)	5,1 kN
Basic static load rating (C0)	2,37 kN
(Grease) Lubrication Speed	28 000 r/min
Category	Single Row Ball Bearings
Inventory	2.0
Manufacturer Name	NSK
Minimum Buy Quantity	N/A
Weight / Kilogram	0.02
EAN	0029176012280
Product Group	B00308
Enclosure	2 Metal Shields



## EDB BEARING CORP.

Precision Class	ABEC 1   ISO P0
Maximum Capacity / Filling Slot	No
Rolling Element	Ball Bearing
Snap Ring	No
Internal Special Features	No
Cage Material	Steel
Internal Clearance	C0-Medium
Inch - Metric	Metric
Long Description	12MM Bore; 28MM Outside Diameter; 8MM Outer Race Diameter; 2 Metal Shields; Ball Bearing; ABEC 1   ISO P0; No Filling Slot; No Snap Ring; No Internal Special Features
Category	Single Row Ball Bearing
UNSPSC	31171504
Harmonized Tariff Code	8482.10.50.68
Noun	Bearing
Keyword String	Ball
Manufacturer URL	<a href="http://www.nskamericas.com">http://www.nskamericas.com</a>
Manufacturer Item Number	6001ZZ
Weight / LBS	0.05
Outer Race Width	0.315 Inch   8 Millimeter
Bore	0.472 Inch   12 Millimeter
Outside Diameter	1.102 Inch   28 Millimeter
bore diameter:	12 mm
closure type:	Double Shielded
outside diameter:	28 mm
internal clearance:	Normal Clearance
overall width:	8 mm
manufacturer upc number:	029176012280
bore type:	Round



## EDB BEARING CORP.

SRI	2.46
hidYobi	6001ZZ
LangID	1
D_	28
SREX	0.015
B_	8
da min	14
hidTable	ecat_NSRDGB
SRE	2.46
mass	0.022
GRS rpm	28000
ra	0.3
SRIX	0.015
D_a	26
SRIN	-0.015
C0	2.37
fo	13
SREN	-0.015
DE_	24.762
Prod_Type3	DGBB_SR_ZZ
DA_	4.762
bomp	0
Z_	8
yobi	6001ZZ
C_conv	5100
ALPHA_	0
SDM_	20
r	0.3
KBRG	6141
SBRG	10
DI_	15.238